

FIG. 1

EDIC PARTS LIST

ITEM #	PART #	DESCRIPTION	QTY.	FIG.
1	COO311	8-32 X 3/8 ROUNDHEAD MACHINE BLACK PHILLIPS SS	2	1
2	D10483	PLATE, MNTNG, SWITCHES, 115V, GREY	1	1
2A	D10713A	ASSY., SWITCHPLATE W/SILKSCREEN LABEL (3 SWITCHES)	1	1
2B	D10998A	ASSY., SWITCHPLATE W/SILKSCREEN LABEL (1 SWITCH)	1	1
3	B00214-2	COVER, SWITCH, ROCKER	2/3	1
4	B00188	SWITCH, ROCKER, DPDT BLACK	1	1
5	E10698	GASKET, SWITCHPLATE, EVA, ADHESIVE BACKED, 3 GALLON UNIT	1	1
6	C10739	SCREW, 6-32 X 5/8, PHIL. PH. BLACK OXIDE	2	1
7	D10481	PLATE, MNTNG, MOMENTARY SWITCH, WHITE EPOXY FINISH	1	1
7A	D10481-1	PLATE, MNTNG, MOMENTARY SWITCH, GREY EPOXY FINISH	1	1
8	B10513	SWITCH, PUSHBUTTON, 250V DP, N/O 12 AMP.	1	1
9	D10590-1	PLATE, MOMENTARY, MOMEN, EPOXY GREY	1	1
10	E10705	GASKET, MOMENTARY	1	1
11	H10518	LABEL, INSTRUCTION	1	1
11A	H10518-1	LABEL, INSTRUCTION (400TR)	1	1
11B	H10518-2	LABEL, INSTRUCTION (GENERIC)	1	1
11C	H10518-3	LABEL, INSTRUCTION (FP)	1	1
11D	H10518-4	LABEL, INSTRUCTION (EW)	1	1
12	D10496	PLATE, COVER, MNTG, POWER CORD, BLACK	1	1
13	COO311	8-32 X 3/8 ROUNDHEAD MACHINE BLACK PHILLIPS SS	4	1
14	B02211-1	SWITCH, ROCKER, LIT GREEN, 115 / 230V, 20A	1/2	1
15	B10554	CIRCUIT BREAKER, 1.2 AMP., 250 VAC, RESETTABLE	1	1
16	B02193	CIRCUIT BREAKER SEAL	1	1
17	H10509	LABEL, SWITCH PLATE, (2 SWITCHES)	1	1
17A	H10726-4	LABEL, SWITCH PLATE. (EW)	1	1
17B	H10699	LABEL, SWITCH PLATE, (3 SWITCHES)	1	1
NOT SHOWN	B10509	HOUR METER	1	1

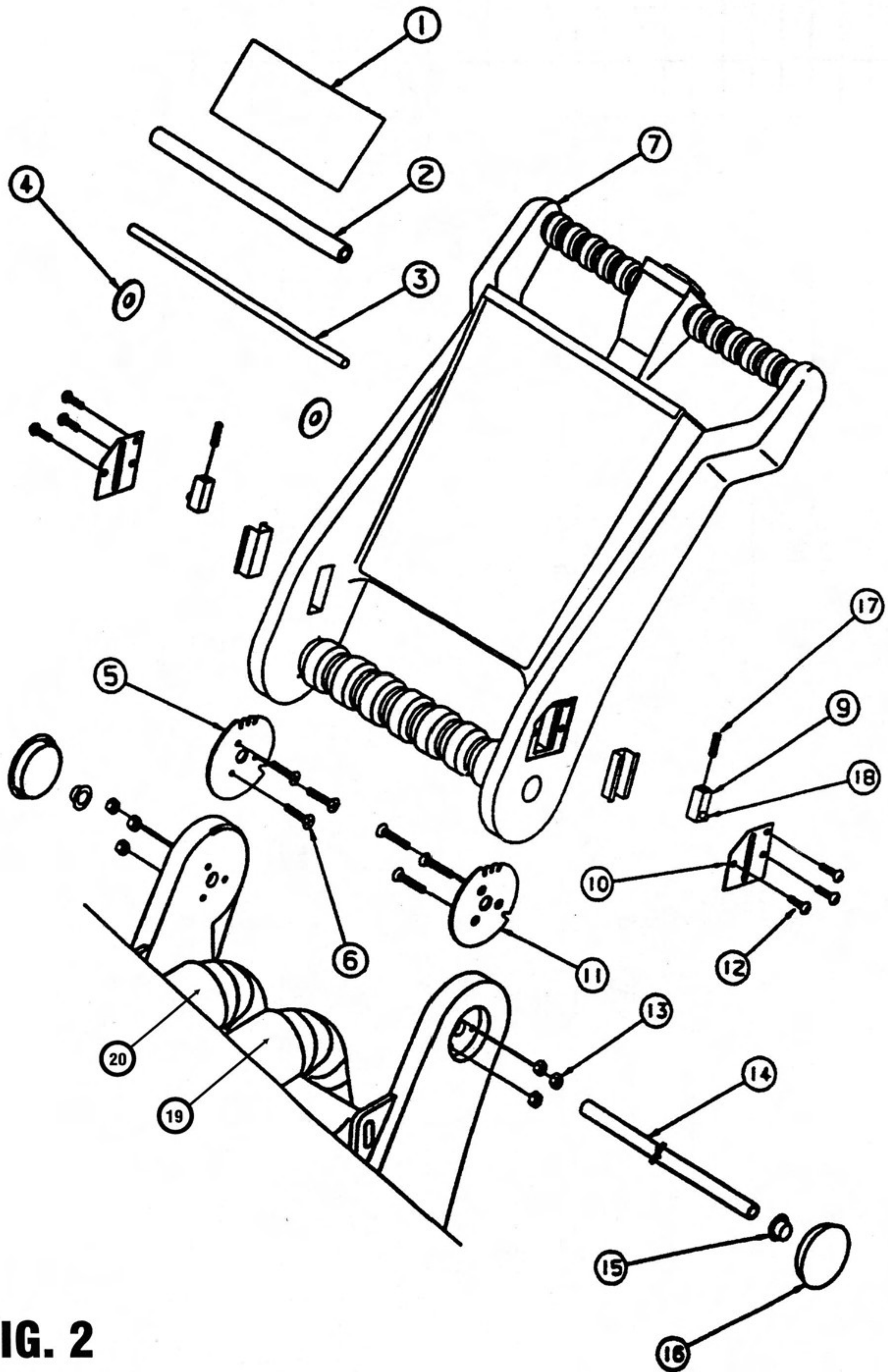


FIG. 2

EDIC PARTS LIST

ITEM #	PART #	DESCRIPTION	QTY.	FIG.
1	H10777	LABEL, HANDLE ADJUST, BAIL HANDLE	1	2
1A	H10777-1	LABEL, HANDLE ADJUST, MULTILINGUAL	1	2
2	F10691	TUBE, PULL LOCK, 1/4 X 6.75 PVC, BLACK	1	2
3	D10479	ROD, PULL LOCK, PLATED, .025 X 7.750, ZINC PLATED	1	2
4	C10730	WASHER, NYLON, 1.25" OD, .281" ID, .063 THICK	2	2
5	D10485	DISK, LOCKING, HANDLE, RT, COUNTERSUNK AND ZINC PLATED	1	2
6	C90010	SCREW, 8-32 X 1" PHILLIPS, PLATED ZINC	6	2
7	F10540-1	HANDLE, FAB, 3 GALLON UNIT, EDIC BLUE	1	2
7A	F10540	HANDLE, (400TR)	1	2
7A	F10540-2	HANDLE, PURPLE	1	2
7A	F10540-3	HANDLE, BLACK	1	2
7A	F10540-4	HANDLE, K-GREY	1	2
7A	F10540-5	HANDLE, K-BLUE	1	2
8	D10690	BRACKET, GUIDE LOCK, .050 ALUMINUM	2	2
9	F10689	SLIDE LOCK, NYLON	2	2
10	D10487	PLATE, COVER, LOCKING MECHANISM, BLACK ANODIZED	2	2
11	D10486	DISK, LOCKING, HANDLE LFT, COUNTERSUNK AND ZINC PLATED	1	2
12	C00311	8-32 X 3/8 ROUNDHEAD MACHINE BLACK PHILLIPS SS	6	2
13	C02320	8-32 NYLON LOCKNUT SS	6	2
14	D10508	TUBE, HANDLE, 10.562 X .50 X .049 WALL, + - 1/16" ON LENGTH	1	2
15	C02305	1/2 CAP NUT PUSH ON	2	2
16	K010142	HOLE PLUG, 2", BLACK	2	2
17	D10494	SPRING, LOCKING MECHANISM	2	2
18	C10692	DOWEL PIN, SLIDE LOCK	2	2
19	J10744	HOSE CUFF, GREY, 1 3/4	1	2
20	J10744-1	HOSE CUFF, BLACK, 1 3/4	1	2
20A	J10745	HOSE CUFF, BLACK, 1 1/4 (400TR)	1	2

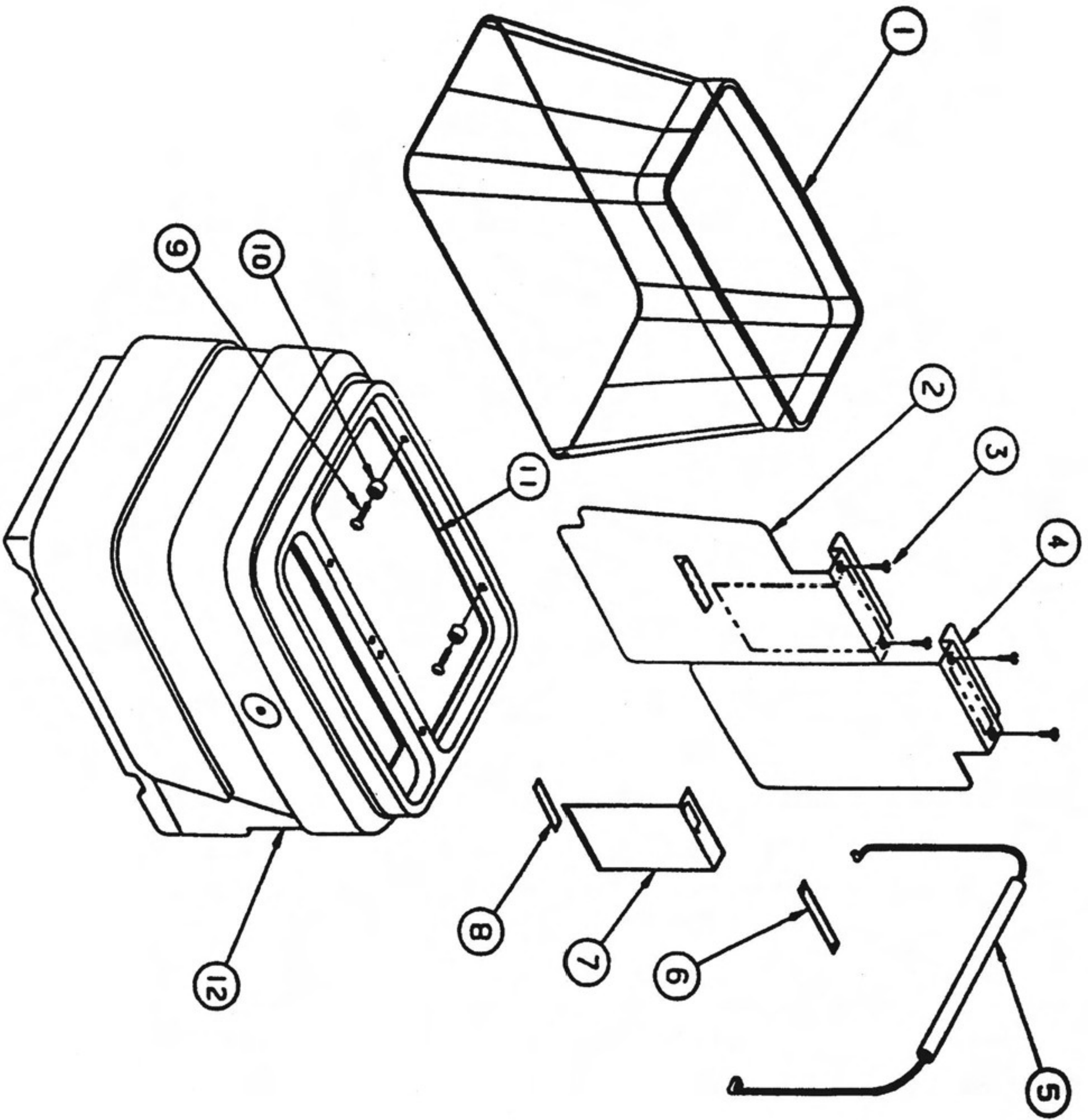


FIG. 3

EDIC PARTS LIST

ITEM #	PART #	DESCRIPTION	QTY.	FIG.
1	10490A	ASSY., BLADDER, 3 GALLON UNIT, ALL VERSIONS	1	3
2	D10760	PLATE, DIVIDER, BUCKET, FRONT, EPOXY GREY	1	3
3	C00307-12	8/32 X 1/2 FLATHEAD MACHINE PHILLIPS, STAINLESS STEEL	4	3
4	D10762	PLATE, DIVIDER, BUCKET, REAR, GREY EPOXY	1	3
5	D10452	ASSY., BAIL HANDLE1	1	3
6	H10572	LABEL, ANTI-FOAM SOLUTION	1	3
7	H10540	LABEL, CLEANING SOLUTION, DO NOT OVERFILL	1	3
8	H10571	LABEL, FILL LEVEL, TANK	1	3
9	C10737	SCREW 8-32 X 5/8, SS TRUSS HEAD, PHILLIPS	2	3
10	K00664	SPACER, NYLON, NATURAL 3/8 X .194 X 5/15	2	3
11	E10771	GASKET, BUCKET, .375 X 33 20 LB. PORON, .125", W/5 MIL #300 3M ACRYLIC ADHESIVE #9672	1	3
12	F10539	BUCKET, FAB, LINEAR, GREY	1	3
12A	F10539-1	BUCKET, FAB, WHITE	1	3
12B	F10539-2	BUCKET, FAB, K- BLUE	1	3
12C	F10539-3	BUCKET, FAB,, K-GREY	1	3